

## Manual Measuring Stage EK 75 × 50 MR with Integrated Measuring System

### Specifications

Travel range	75 × 50 mm
Accuracy	±5 µm
Resolution	< 0.05 µm
Drive	X-axis: rope drive Y-axis: rack – pinion
Material	aluminium
Surface	anodic coating, black lacquered
Worktop	wear-free CERASIST® coating
Weight	approx. 1.7 kg

### Order Information

Order No.: 00-22-321-0000

### Product Features

- ▣ integrated measuring system
- ▣ CERASIST® surface – free of wear
- ▣ coaxial drive adjustable in height and friction for ergonomical handling
- ▣ for reflected and transmitted light applications

### Accessories

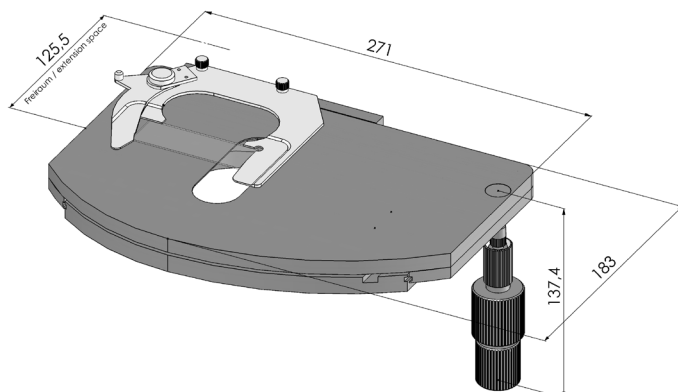
Object holder for 1 slide 76 × 26 mm (included in delivery)

Order No.: 00-22-321-2000

Digital readout unit PROFILER SCD (included in delivery)

Order No.: 00-76-900-4830

### Dimensions



For more accessories for microscopy please visit: [www.marzhauser.com](http://www.marzhauser.com)