



Stage insert not included in delivery

Scanning Stage SCAN IM 100 × 100 for Nikon Eclipse MA200

Specifications

Travel range	100 × 100 mm or 48 × 48 mm ¹
Travel speed	max. 120 mm/s
Ball screw pitch	2 mm
Repeatability	< 1 µm (bidirectional) ²
Accuracy	±3 µm ²
Resolution	0.01 µm (smallest step size)
Orthogonality	≤ 5 arcsec
Motor type	2-phase stepper motor
Limit switches	wear-free Hall sensors
Material / surface	aluminium / anodic coating, black lacquered
Weight	approx. 6.7 kg

Order Information

Order No.: 00-24-595-0000

Product Features

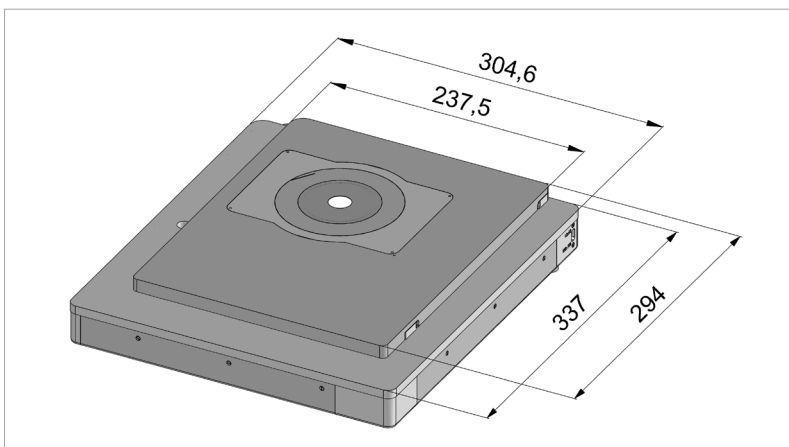
- ▶ for material applications
- ▶ flat, ergonomic design
- ▶ compatible with NIS-Elements in connection with the TANGO controller
- ▶ compatible with original Nikon specimen holders Ø 108 mm
- ▶ integrated electronic stage identification device ETS for automatic identification of the scanning stage and parametrization of the controller
- ▶ **5 years guarantee**, if the scanning stage is operated in the system with the Märzhäuser TANGO controller

Accessories

Stage insert 160 × 110 × 3 mm (suitable for Nikon specimen holders Ø 108 mm), Order No.: 00-24-595-0013

Stage inlays with inner diameter Ø 30 mm, Order No.: 00-0029-0595-2010
 Ø 40 mm, Order No.: 00-0029-0595-2020
 Ø 60 mm, Order No.: 00-0029-0595-2030

For more accessories please visit:
www.marzhauser.com



¹ travel range limitable via switch
² measured according to VDI/DGQ 3441
 Specifications valid with TANGO controllers only.