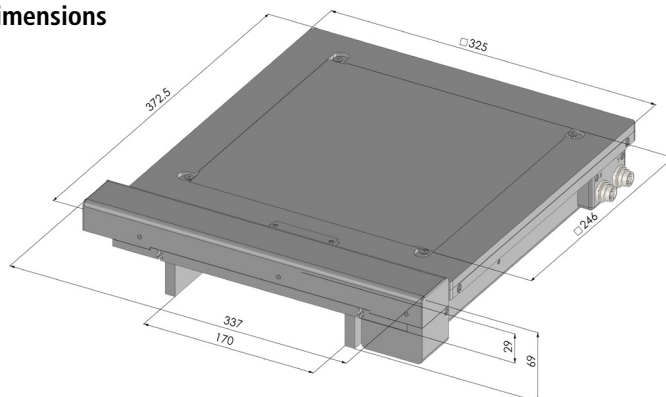


## Scanning Stage SCAN 200 × 200 for Upright Microscopes

### Specifications

Travel range	max. 200 × 200 mm
Travel speed	max. 120 mm/s (with 2 mm ball screw pitch) max. 240 mm/s (with 4 mm ball screw pitch)
Repeatability	< 1 µm <sup>1</sup> (bidirectional)
Accuracy	±3 µm <sup>1</sup>
Resolution	0.01 µm (smallest step size)
Orthogonality	< 10 arcsec
Motor type	2-phase stepper motor
Limit switches	continuously adjustable light barriers
Material / surface	aluminium / anodic coating, black lacquered
Weight	approx. 8.9 kg

### Dimensions



### Order Information

Order No.: 00-24-836-0000 (2 mm)  
 Order No.: 00-24-837-0000 (4 mm)

### Product Features

- ▶ flat, ergonomic design with rounded corners
- ▶ L-shaped support stages optional available
- ▶ **5 years guarantee**, if the scanning stage is operated in the system with the Märzhäuser TANGO controller

### Accessories

Metall plate (included in delivery)  
 Order No.: 00-24-801-0011

Wafer holder  
 rotatable, for 5", 6" and 8" wafers  
 Order No.: 00-29-840-8000

Wafer holder  
 rotatable, for 6", 8" and 12" wafers  
 Order No.: 00-29-340-8000

Vacuum wafer holder  
 rotatable, for 6" and 8" wafers  
 Order No.: 00-29-850-8000

For more products please visit:  
[www.marzhauser.com](http://www.marzhauser.com)