

ERGOPOINTER

Computer Input Device for Virtual Microscopy

Specifications

Number of axes	3 (XY, scroll)
Encoder resolution XY	100,000 increments/revolution
Encoder resolution scroll	480 increments/revolution
Function keys	2 × 3 function keys, mirrored
Supply voltage	+5 V (via USB)
Current consumption	95 mA
Interface	USB type B
Communication ¹	ME computer mouse / HID compliant device VC virtual COM port / ASCII commands
Material / surface	aluminium / anodic coating, black lacquered
Weight	approx. 1.6 kg

Order Information

ERGOPOINTER ME
 Order No.: 00-27-322-2500
 ERGOPOINTER VC
 Order No.: 00-27-322-2600

Product Features

- ▶ Ergonomic operation for virtual microscopy and imaging
- ▶ Fast and sensitive positioning via coaxial drive, as used in traditional microscopy
- ▶ Exact and orthogonal movement for precise navigation
- ▶ Scroll wheel without detent
- ▶ Ergonomic adjustment for friction and height (coaxial drive telescopic)
- ▶ 3 mirrored function keys on each side, symmetrical design enables both left- and right-handed operation
- ▶ Plug-and-play: automatic identification by connection

Dimensions

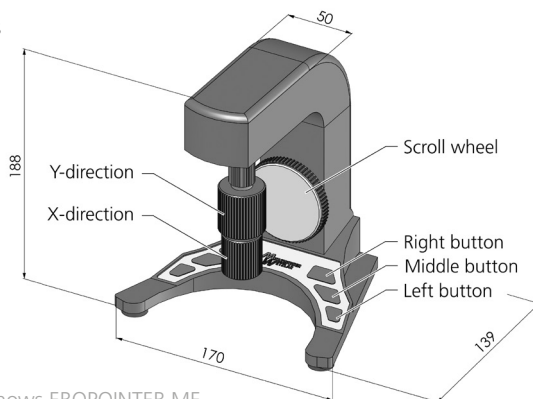


Illustration shows ERGOPOINTER ME

For more products please visit:
www.marzhauser.com