



## ERGODRIVE digital Operating Device for Motorized Microscope and Measuring Stages

### Specifications

Number of axes	ERGODRIVE 2: 2 axes (XY) ERGODRIVE 3: 3 axes (XYZ)
Resolution XY	500.000 steps/revolution
Resolution Z <sup>1</sup>	480 steps/revolution
Supply voltage	5 V
Current consumption	100 mA
Interface	HDI digital (Mini USB)
Material	aluminium
Surface	anodic coating, black lacquered
Cable length	2.9 m
Weight	ERGODRIVE 2: approx. 1.6 kg ERGODRIVE 3: approx. 1.7 kg

### Dimensions

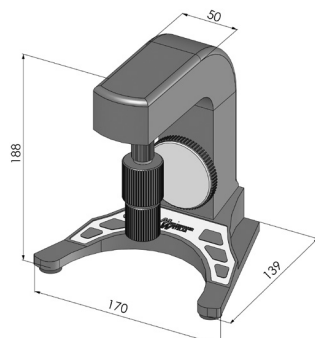


Fig. shows  
ERGODRIVE 3 digital

### Order Information

ERGODRIVE 2 digital (2-axes operating device)  
Order No.: 00-27-322-7000

ERGODRIVE 3 digital (3-axes operating device)  
Order No.: 00-27-322-8000

### Product Features

- ▶ 2- or 3-axes operating device for all motorized microscope and measuring stages in connection with the TANGO controller
- ▶ high-resolution, proportional positioning
- ▶ fast stage movement across the entire travel range with sensitive positioning in sub- $\mu$  area at the same time
- ▶ ergonomical adjustment for friction and height (coaxial drive telescopic)
- ▶ SnapShot function
- ▶ velocity switching for XY, respectively Z
- ▶ "Plug and play your microscope": automatic identification by connection

### Compatibility

ERGODRIVE digital is compatible with all TANGO controllers with digital HDI interface (e. g. TANGO integrale, TANGO 3 mini).