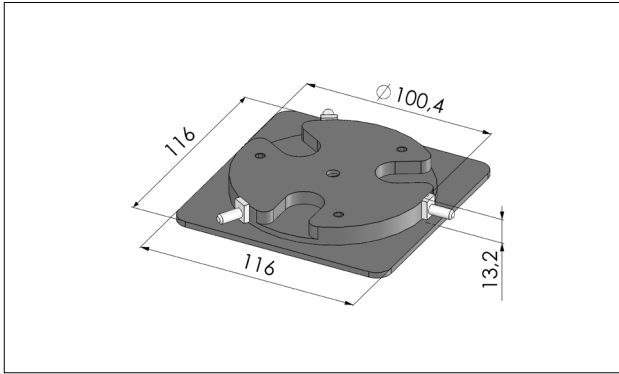


## Rotatable Wafer Holders for Microscope and Measuring Stages

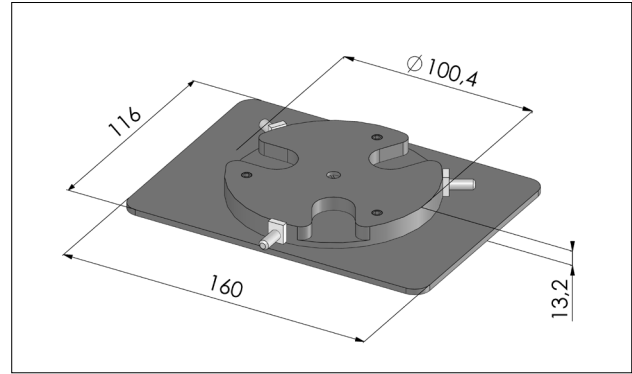
1/2

### Wafer Holder for 3" and 4" Wafers



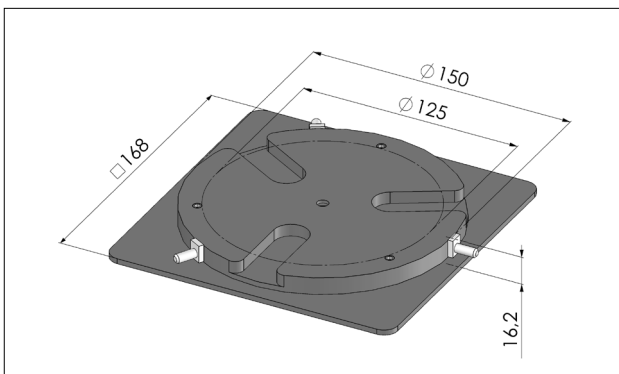
Order no.	00-29-440-8000
Dimensions	116 × 116 × 13.2 mm (L × W × H)
Adaption	metal plate 116 × 116 mm
Material	aluminium, steel and plastics
Surface	anodic coating, black lacquered
Compatibility	EK 100 × 100

### Wafer Holder for 3" and 4" Wafers



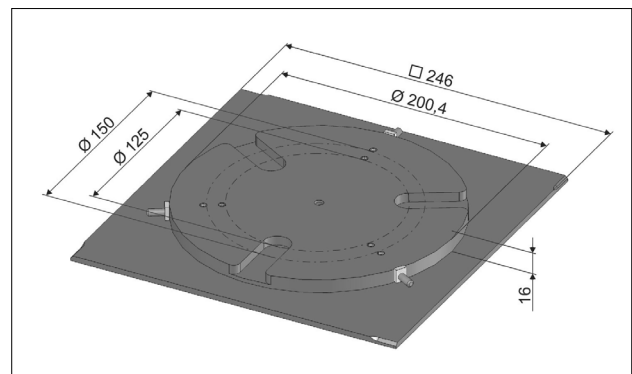
Order no.	00-29-441-8000
Dimensions	160 × 116 × 13.2 mm (L × W × H)
Adaption	metal plate 160 × 116 mm
Material	aluminium, steel and plastics
Surface	anodic coating, black lacquered
Compatibility	MTM 105 × 105 MR, SCAN 100 × 100, SCAN <sup>plus</sup> 100 × 100

### Wafer Holder for 5" and 6" Wafers



Order no.	00-29-640-8000
Dimensions	168 × 168 × 16.2 mm (L × W × H)
Adaption	metal plate 168 × 168 mm
Material	aluminium, steel and plastics
Surface	anodic coating, black lacquered
Compatibility	EK 150 × 150, MTM 150 × 150 MR, SCAN 150 × 150, SCAN <sup>plus</sup> 150 × 150

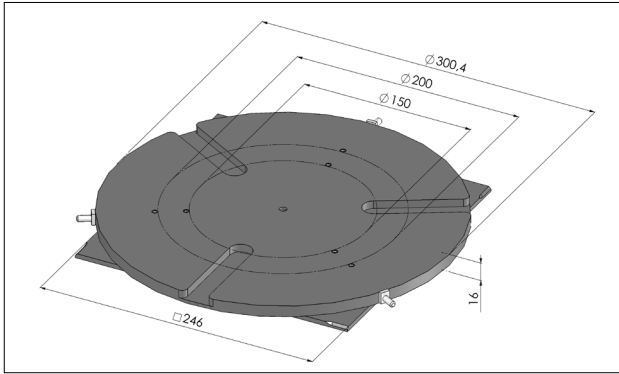
### Wafer Holder for 5", 6" and 8" Wafers



Order no.	00-29-840-8000
Dimensions	246 × 246 × 16 mm (L × W × H)
Adaption	metal plate 246 × 246 mm
Material	aluminium, steel and plastics
Surface	anodic coating, black lacquered
Compatibility	EK 200 × 200, MTM 200 × 200 MR, SCAN 200 × 200, SCAN <sup>plus</sup> 200 × 200

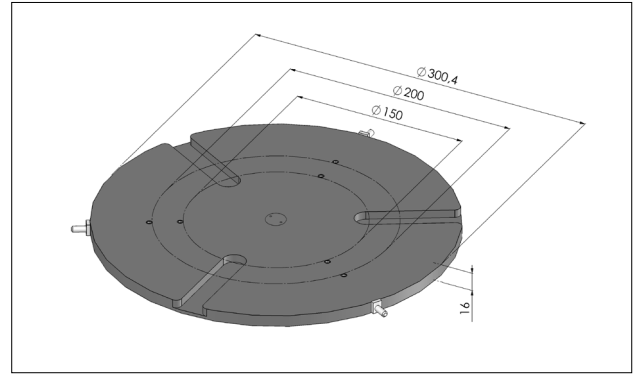
## Rotatable Wafer Holders for Microscope and Measuring Stages 2/2

**Wafer Holder for 6", 8" and 12" Wafers**



Order no.	00-29-340-8000
Dimensions	300.4 × 16 mm (D × H)
Adaption	metal plate 246 × 246 mm
Material	aluminium, steel and plastics
Surface	anodic coating, black lacquered
Compatibility	EK 200 × 200, MTM 200 × 200 MR, SCAN 200 × 200, SCAN <sup>plus</sup> 200 × 200

**Wafer Holder for 6", 8" and 12" Wafers**



Order no.	00-29-340-9000
Dimensions	300.4 × 16 mm (D × H)
Adaption	thread in the top plate of the scanning stage
Material	aluminium, steel, brass and plastics
Surface	anodic coating, black lacquered
Compatibility	EK 300 × 300, SCAN 300 × 300