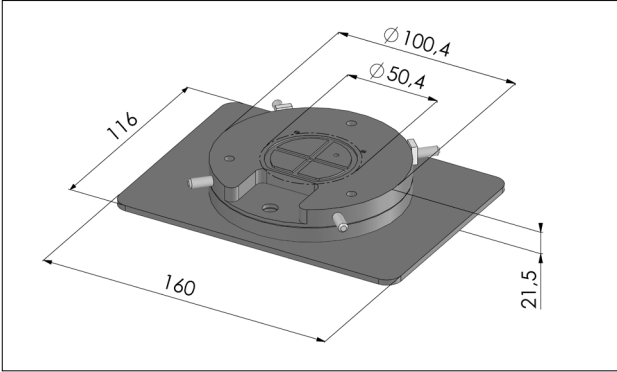


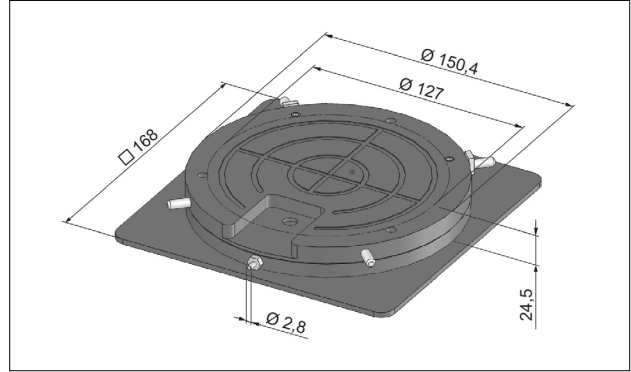
Rotatable Vacuum Wafer Holders for Microscope and Measuring Stages

Vacuum Wafer Holder for 2", 3" and 4" Wafers



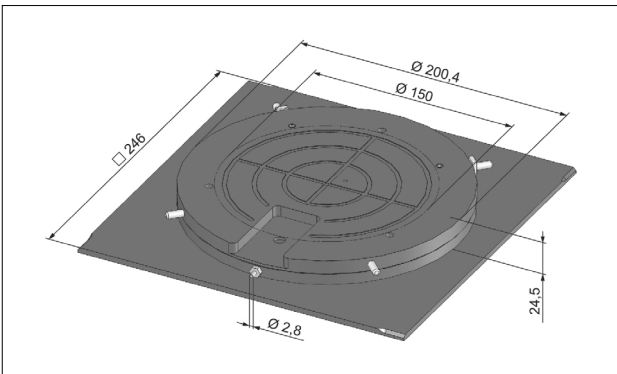
Order no.	00-29-660-8000
Dimensions	160 × 116 × 21.5 mm (L × W × H)
Adaption	metal plate 160 × 116 mm
Material	aluminium, steel and plastics
Surface	anodic coating, black lacquered
Compatibility	MTM 105 × 105 MR, SCAN 100 × 100, SCAN ^{plus} 100 × 100

Vacuum Wafer Holder for 5" and 6" Wafers



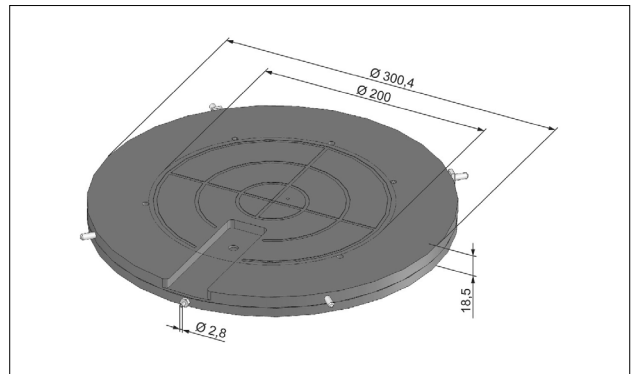
Order no.	00-29-650-8000
Dimensions	168 × 168 × 24.5 mm (L × W × H)
Adaption	metal plate 168 × 168 mm
Material	aluminium, steel and plastics
Surface	anodic coating, black lacquered
Compatibility	EK 150 × 150, MTM 150 × 150 MR, SCAN 150 × 150, SCAN ^{plus} 150 × 150

Vacuum Wafer Holder for 6" and 8" Wafers



Order no.	00-29-850-8000
Dimensions	200.4 × 200.4 × 24.5 mm (L × W × H)
Adaption	metal plate 246 × 246 mm
Material	aluminium, steel and plastics
Surface	anodic coating, black lacquered
Compatibility	EK 200 × 200, MTM 200 × 200 MR, SCAN 200 × 200, SCAN ^{plus} 200 × 200

Vacuum Wafer Holder for 8" and 12" Wafers



Order no.	00-29-350-8000
Dimensions	300.4 × 18.5 mm (D × H)
Adaption	threads in the top plate of the scanning stage
Material	aluminium, steel and plastics
Surface	anodic coating, black lacquered
Compatibility	EK 300 × 300, SCAN 300 × 300, SCAN ^{plus} 300 × 300