



▶ **Manual Measuring Stage MT 50 x 50 MR** with Integrated Measuring System

Measuring range:	50 x 50 mm (2" x 2")
Accuracy:	absolut accuracy in μm : measuring length / 40 +2,5
Resolution:	< 0,05 μm
Material:	aluminium
Surface:	anodic coating, black lacquered
Weight:	1.4 kg
Load capacity:	5 kg

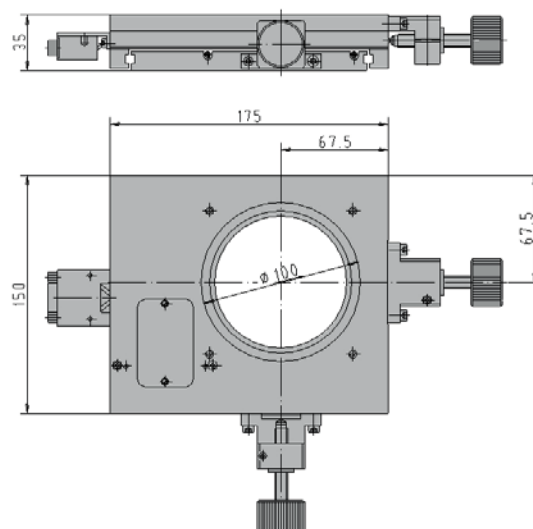
Order Information

MT 50 x 50 MR,
 Order No.: 00-30-119-0000

Product Features

- ▶ with integrated measuring system
- ▶ for reflected and transmitted light applications

Dimensions:



Accessory

Glass plate (included in delivery)
 Order No.: 00-30-101-0810

Digital readout unit PROFILER SCD
 (included in delivery)
 Order No.: 00-76-900-4830

For further accessories please visit
www.marzhauser.com