

▶ **Manual Measuring Stage MT 50 x 50** for hardness testing

Measuring range:	50 x 50 mm (2" x 2")
Resolution:	depends on the micrometer
Micrometer mount:	Ø 12 mm (other Ø on request)
Weight:	1.25 kg
Load capacity:	50 kg

Order Information

MT 50 x 50
 Order No.: 00-30-224-0000

Product Features

- ▶ for hardness testing
- ▶ various micrometers with a resolution of up to 1 µm are available
- ▶ For mounting the stage, there are 4 holes (M5 thread) in the lower plate. Other hole patterns or special adaptors are available on request.

Dimensions:

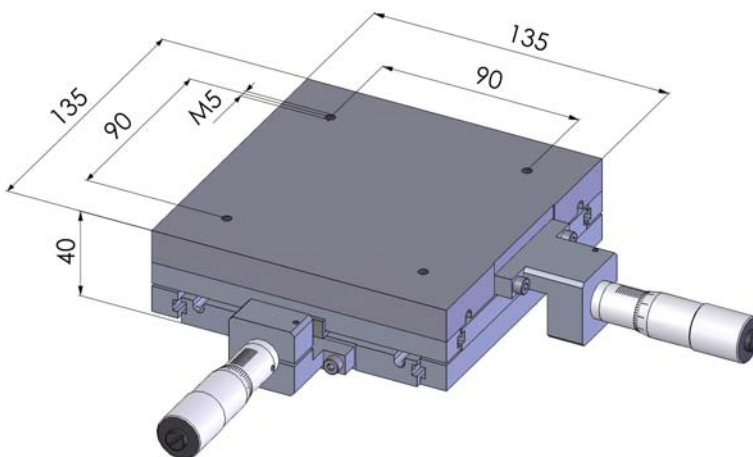
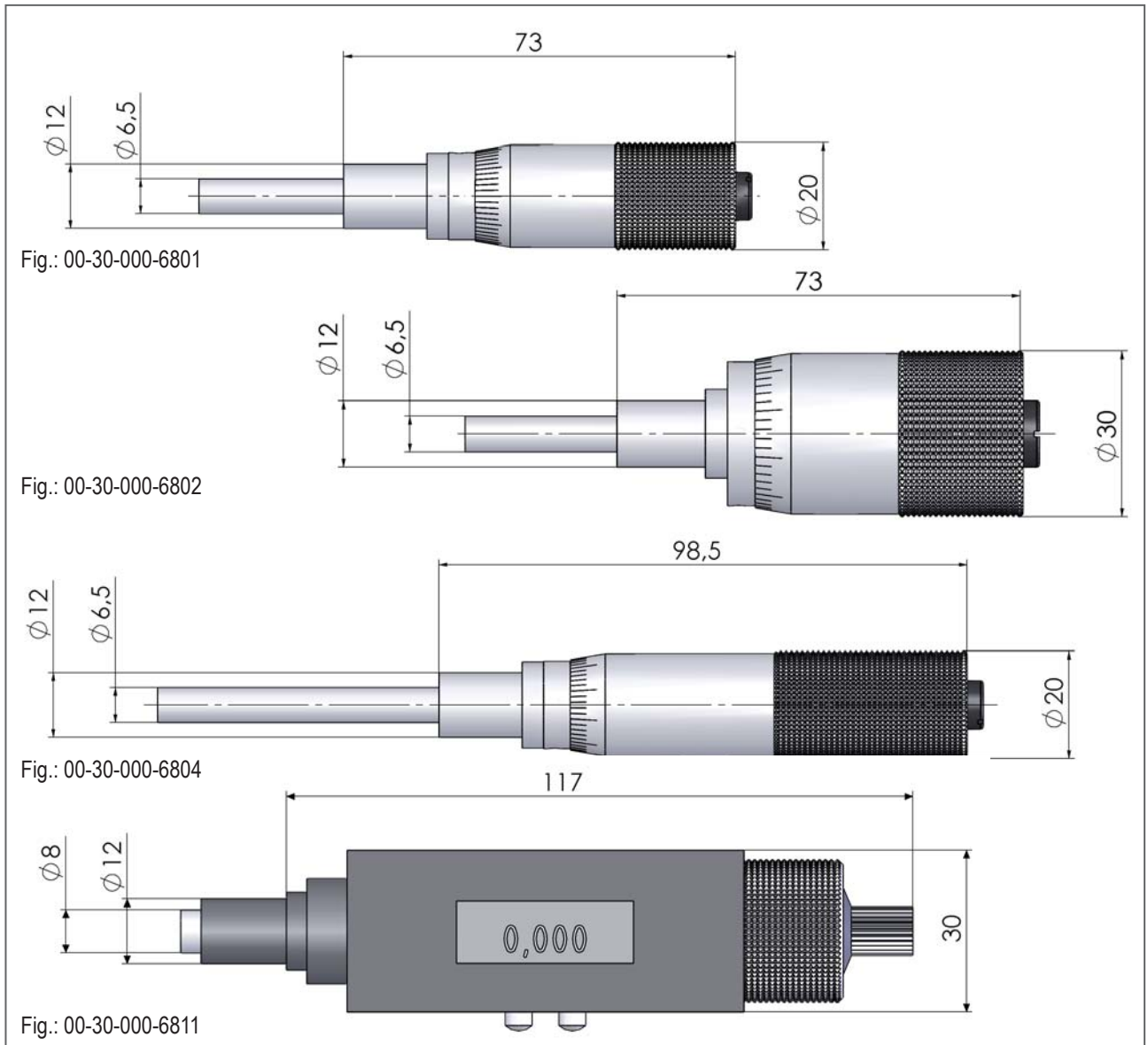


Figure with micrometer screws (not included in delivery).

Accessory

Micrometer screws: see following page

For accessories please refer to:
www.marzhauser.com



▶ Micrometer Screws for Manual Measuring Stages

Range:	Drum Diameter:	Resolution:	Order No.:
25 mm (analog)	20 mm	10 μm	00-30-000-6801
25 mm (analog)	30 mm	5 μm	00-30-000-6802
50 mm (analog)	20 mm	10 μm	00-30-000-6804
50 mm (analog)	30 mm	5 μm	00-30-000-6805
25 mm (digital)		1 μm	00-30-000-6811
50 mm (digital)		1 μm	00-99-900-1898*

*mounting shaft: 18 mm

Product Features

- ▶ Mounting shaft: Ø 12 mm / 18 mm
- ▶ Lead screw pitch: 0.5 mm
- ▶ Accuracy according to DIN 863-1
- ▶ Threads of ground hardened steel

For accessories please refer to:
www.marzhauser.com