



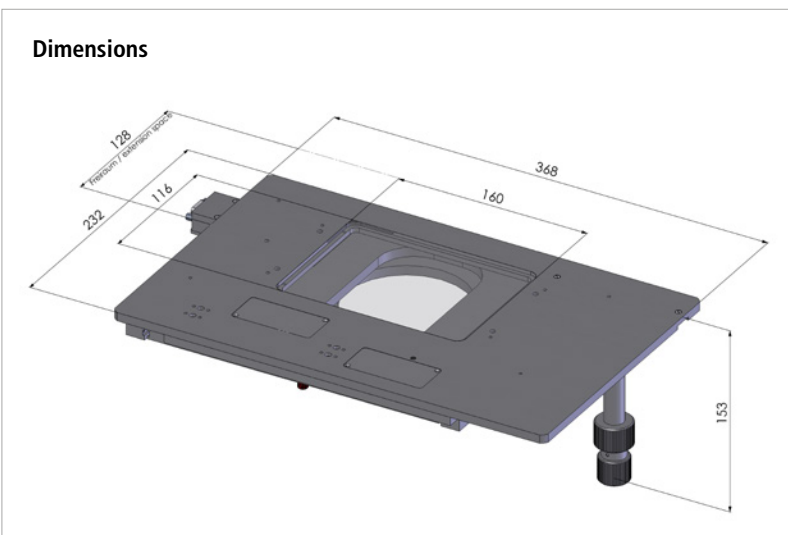
Manual Measuring Stage MTM 105 × 105 MR with Integrated Measuring System

Specifications	
Measuring range	reflected light: 105 × 105 mm transmitted light: 105 × 85 mm
Accuracy	±1 µm
Resolution	0.05 µm (smallest step size)
Drive	rack/pinion
Material	aluminium
Surface	anodic coating, black lacquered
Load capacity	2.5 kg
Weight	approx. 4.0 kg

Order Information
 Order No.: 00-31-416-0000

Product Features

- ▶ highest accuracy through integrated linear measuring systems
- ▶ for reflected and transmitted light applications
- ▶ incl. digital readout unit PROFILER SCD



Accessories

Glass plate
 (included in delivery)
 Order No.: 00-24-427-0810

Digital readout unit PROFILER SCD
 (included in delivery)
 Order No.: 00-76-900-4830

Various stage inserts
 with dimensions 160 x 116 mm

For further accessories please visit:
www.marzhauser.com