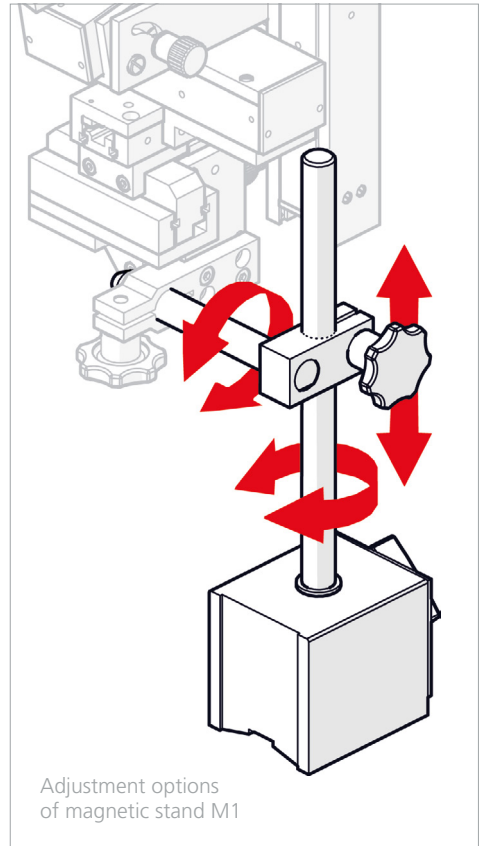




Magnetic stand M1

Magnetic stand M2



Adjustment options of magnetic stand M1

## Magnetic Stands M1 and M2 for Manual and Motorized Micromanipulators

Specifications		
Magnetic stand	M1	M2
Adjustment options	turn-/tiltable, adjustable in height (range: 150 mm)	turn-/tiltable
Mounting	½" clamp	½" clamp
Material	brass, steel, aluminum, plastics	brass, steel, aluminum, plastics
Surface	bright chromated coating, textured lacquer	bright chromated coating, anodic coating, textured lacquer
Dimensions (L × H × W)	approx. 82 × 232 × 116 mm	approx. 106 × 114 × 60 mm
Weight	approx. 1.3 kg	approx. 1.2 kg

### Order Information

Magnetic stand M1  
 Order No.: 00-49-901-6000

Magnetic stand M2  
 Order No.: 00-49-902-6000

### Product Features

- ▶ permanent magnetic base with prismatic bottom and rotary switch
- ▶ convenient positioning of a micromanipulator on a metal plate/table
- ▶ sticks to flat and cylindrical surfaces
- ▶ compatible with all manual and motorized micromanipulators from Märzhäuser Wetzlar with ½" clamp

For more products please visit:  
[www.marzhauser.com](http://www.marzhauser.com)