



Piezo Z-Stage 500 µm for Märzhäuser Scanning Stages in the SCAN IM Series

Specifications

Travel range	500 µm
Resolution	1 nm (smallest step)
Repeatability	±5 nm (unidirectional)
Linearity error ¹	< 0.05 %
Load capacity	1.5 kg
Position sensor	capacitive
Operation mode	closed-loop operation
Interfaces	USB, RS-232, CAN, Trigger In/Out, Analog In (0–10 V DC)
Connection cable ²	2.9 m
Material	aluminium
Weight ³	1 kg

Order Information

Piezo Z-stage 500 µm
 incl. controller WSB ZPiezo
 Order No.: 00-55-600-0000
 Handwheel WSB ZPiezo
 Order No.: 00-55-600-0810

Product Features

- ▶ compatible with nearly all Märzhäuser scanning stages in the SCAN IM series
- ▶ direct connection between Piezo controller and TANGO controllers with AUX I/O
- ▶ position display on the screen of the handwheel allows stand-alone operation
- ▶ dynamic Z-motion with travel ranges up to 500 µm
- ▶ highly dynamic scanning sequences can be realized by means of trigger functionality
- ▶ weight-independent travel characteristics up to 1.5 kg

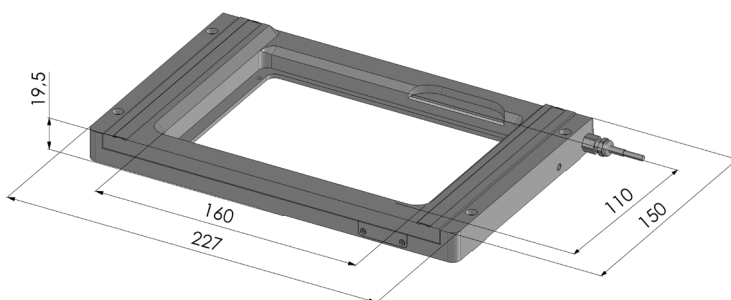
Accessories

Universal stage insert for samples
 Ø 22–68 mm or 1 slide 76 × 26/52 mm
 Order No.: 00-55-600-2100

Stage insert for 1 slide 76 × 26 mm,
 1 Lab-Tek™ chamb. coverglass 57,8 × 25,4 mm
 or 1 Petri dish holder Ø 58 mm
 Order No.: 00-55-600-3100

Stage insert for 1 multiwell plate
 Order No.: 00-55-600-1010

Dimensions



Please note: Stage opening not compatible with standard stage inserts.



A product from



¹ along the whole travel range
² connection between stage and controller
³ stage incl. connection cable