

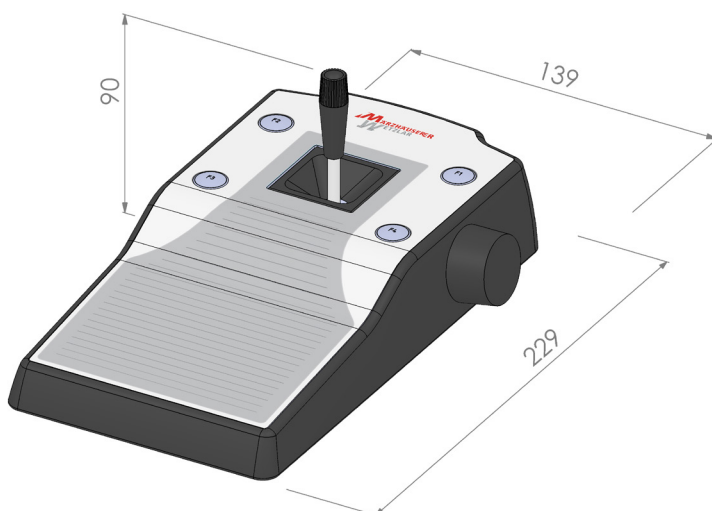


3-Axes Joystick Digital with Multi-Function Wheel for TANGO Controllers

Specifications

Number of axes	3 (XYZ)
Interface	HDI digital (Mini USB)
Material/surface	control panel: membrane keyboard housing: ABS-plastic with haptic coating housing bottom: stainless steel
Cable length	2.9 m
Weight	approx. 1.0 kg

Dimensions



Order Information

3-axes joystick digital
 with multi-function wheel
 Order No.: 00-76-300-1821

Product Features

- ▶ sensitive, manual positioning
- ▶ side-mounted multi-function wheel allows ergonomic operation
- ▶ various configuration options, e. g. control of any axis or the LED illumination LED 100 by means of the multi-function wheel
- ▶ free and precise programming of max. travel speed
- ▶ 4 freely programmable function keys
- ▶ membrane keyboard with high durability
- ▶ soft touch and insensitive haptic coating on the side surfaces
- ▶ easy cleaning

Compatibility

The 3-axes joystick digital with multi-function wheel is compatible with all TANGO controllers with digital HDI interface (e. g. TANGO integrale, TANGO 3 mini).