

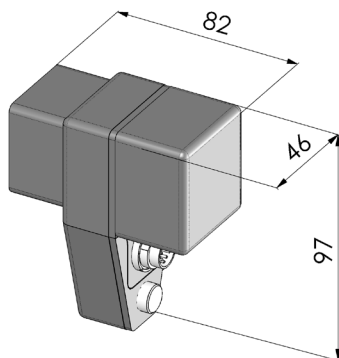
Image exemplary shows
 MA 42E for Nikon Eclipse Ni

Motorized Focus Drive MA 42E for Supplementary Motorization of the Z-Axis of Nikon Microscopes

Specifications

Resolution	typical 0.002 μm^1
Motor type	2-phase stepper motor
Revolutions	max. 60 rev/s
Adapter	microscope-specific
Material	aluminium
Surface	anodic coating, black lacquered
Weight	approx. 1 kg ²

Dimensions



Dimensions of motor unit
 valid for all models

Order Information

MA 42E for Nikon	Order No.
SMZ 800/1000 ³	45-53-400-0000
SMZ 1500	45-53-401-0000
Eclipse E 600	45-53-409-0000
Eclipse 80i	45-53-422-0000
Eclipse Ni	45-53-423-0000
Eclipse Ci	45-53-424-0000
Eclipse Ti	45-53-425-0000
Eclipse TS2R	45-53-426-0000
Eclipse Ti 2	45-53-427-0000

Product Features

- ▶ avoidance of slippage or step loss by rigid connection to the shaft of the fine focus drive
- ▶ stable attachment to the microscope

Accessories

The MA 42E can be operated with any Märzhäuser TANGO controller in combination with operating devices ERGODRIVE or Joystick.

For more accessories for microscopy please visit: www.marzhauser.com



¹ depends on the gear ratio of the microscope's fine focus
² weight varies depending on the adapter (microscope-specific)
³ for Nikon SMZ focus module C-FMC/C-FMCN
 Specifications valid with TANGO controllers only.