

Fig. shows MFD-2 for Nikon Eclipse LV150 as an example

Motorized Focus Drive MFD-2 for Supplementary Motorization of the Z-Axis of Nikon Microscopes

Specifications

Resolution	typical 0.002 µm, depends on the gear ratio of the microscope's fine focus
Motor	2-phase stepper motor
Max. revolutions	60 rev/s
Material	aluminium
Surface	anodic coating, black lacquered
Weight / dimensions	Design, dimensions and weight vary in accordance with the microscope the MFD-2 is used on.

Order Information

MFD-2 for	Order No.
Eclipse MA100, MA100L	45-54-600-0000
Eclipse MA200	45-54-601-0000
Eclipse LV150	45-54-602-0000
Eclipse L200, L300 (left)	45-54-603-0000
Eclipse L200, L300 (right)	45-54-604-0000
Eclipse LV100N/ND, LV150N	45-54-605-0000
Eclipse LV-IM	45-54-607-0000
Eclipse LV100D/DA-U, LV150A	45-54-608-0000
Eclipse MA100N	45-54-609-0000

Product Features

- ▶ avoidance of slippage or step loss by rigid connection to the shaft of the fine focus drive
- ▶ stable attachment to the base plate of the microscope

Accessories

The MFD-2 can be operated with any Märzhäuser stepper motor controller in conjunction with operating device ERGODRIVE or joystick.

For more accessories for microscopy please visit: www.marzhauser.com

Dimensions

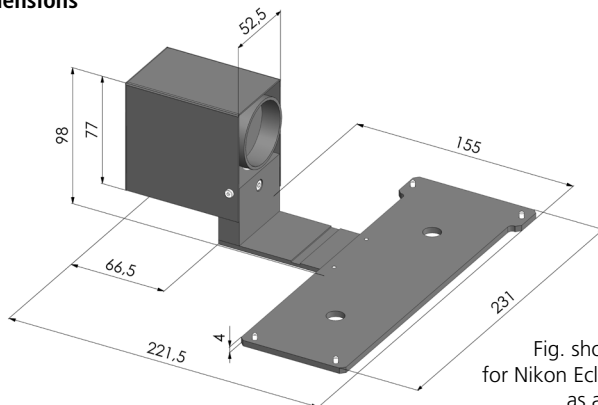


Fig. shows MFD-2 for Nikon Eclipse LV150 as an example