

Scanning Stage SCAN IM 120 × 80 for Olympus IX53 / IX73 / IX83

Specifications

Travel range	max. 120 × 80 mm	
Travel speed	max. 120 mm/s (with 2 mm ball screw pitch)	
Repeatability ¹	0.2 µm (unidirectional)	1 µm (bidirectional)
Accuracy ¹	±3 µm	
Resolution	0.01 µm (smallest step size)	
Orthogonality	< 10 arcsec	
Motor	2-phase stepper motor	
Limit switches	wear-free Hall sensors	
Material / surface	aluminium / anodic coating, black lacquered	
Weight	approx. 4.6 kg	

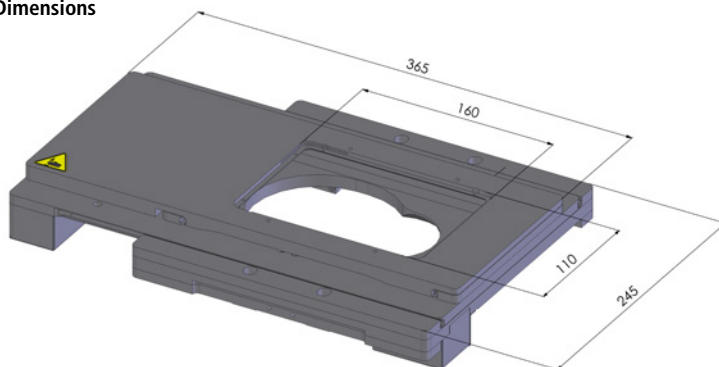
Order Information

Order No.: 48-24-580-0000

Product Features

- ▶ flat, ergonomic design with rounded corners
- ▶ plain surface for easy cleaning
- ▶ stationary connecting cables between scanning stage and controller
- ▶ integrated electronic stage identification device ETS for automatic identification of the scanning stage and parametrization of the controller
- ▶ applicable for IX3 systems with DICTA module
- ▶ **5 years guarantee**, if the scanning stage is operated in the system with the Märzhäuser TANGO controller

Dimensions



Accessories

Piezo Z-stage
 Order No.: 00-55-550-0800

Various stage inserts
 with dimensions 160 × 110 × 8 mm

For further accessories please visit:
www.marzhauser.com