

Motorized Focus Drive MFD-2 for Olympus SZX2-FOF/FOFH/RFA16

Specifications	
Resolution	typical 0,002 µm, depends on the speed reduction gear ratio of the microscope's fine focus
Motor	2-phase stepper motor
Revolutions	max. 60 rev/s
Material	aluminium
Surface	anodic coating, black lacquered
Weight	approx. 600 g (SZX2-FOF/FOFH) approx. 800 g (SZX2-RFA16)

Order Information

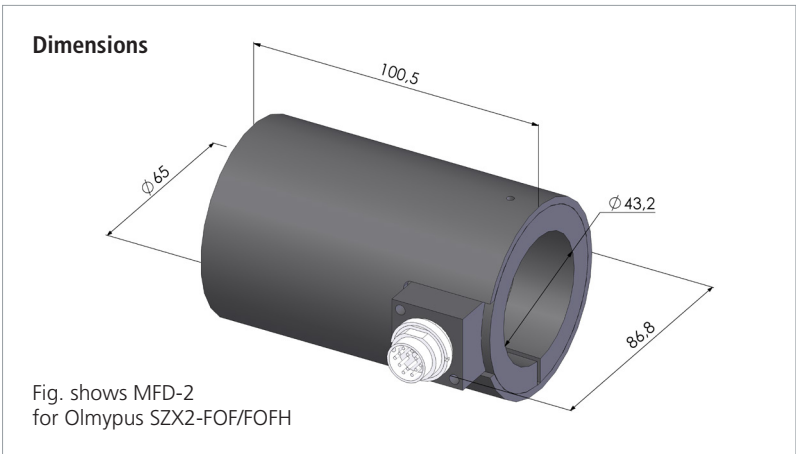
Order No.: 48-54-620-0000 (FOF/FOFH)
 Order No.: 48-54-626-0000 (RFA16)

Product Features

- ▶ avoidance of slippage or step loss by rigid connection to the shaft of the fine focus drive
- ▶ stable attachment to the base plate of the microscope

Accessories

The MFD-2 can be operated with any Märzhäuser stepper motor controller in conjunction with operating device ERGODRIVE or Joystick.



For more products please visit:

www.marzhauser.com