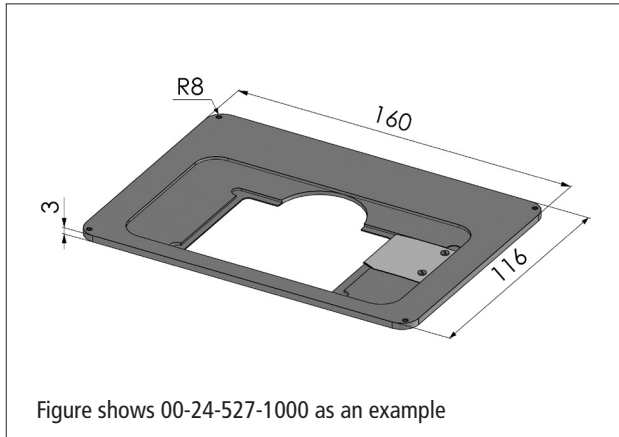


Accessories for Scanning Stages of the SCAN and SCAN^{plus} Series

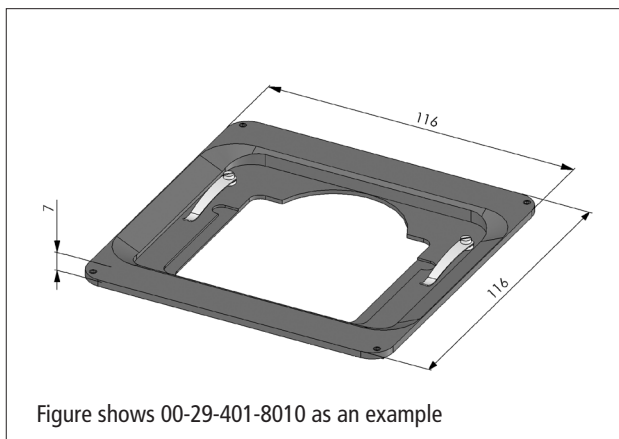
Stage Inserts with Clip Plate



Stage insert for	Dimensions	Order No.
1 slide 3" × 1"	160 × 116 × 3 mm	00-24-527-1000
1 slide 3" × 1"	160 × 116 × 7 mm	00-24-427-8030

Material: aluminium, steel
 Surface: anodic coating, black lacquered

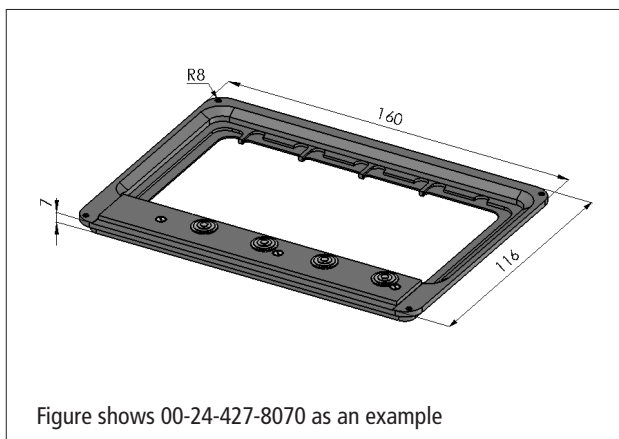
Stage Inserts with Downholder



Stage insert for	Dimensions	Order No.
1 slide 3" × 1"	116 × 116 × 7 mm	00-29-401-8010
2 slides 3" × 1"	160 × 116 × 7 mm	00-24-427-8020
1 slide 3" × 1", rotatable	160 × 116 × 7 mm	00-24-427-8090
1 slide 3" × 1" or 3" × 2"	200 × 148 × 3 mm	48-24-520-2000

Material: aluminium, steel, brass
 Surface: anodic coating, black lacquered

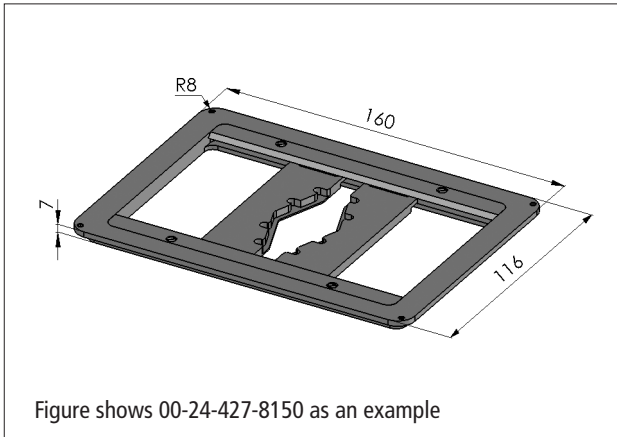
Stage Inserts with Edge Press-On



Stage insert for	Dimensions	Order No.
4 slides 3" × 1"	160 × 116 × 7 mm	00-24-427-8070
4 slides 3" × 1"	200 × 148 × 7 mm	00-24-520-1000
4 slides 3" × 1"	200 × 148 × 3 mm	48-24-520-3000
8 slides 3" × 1"	313 × 148 × 7 mm	00-24-505-1100

Material: aluminium, steel, brass
 Surface: anodic coating, black lacquered, bright chrome

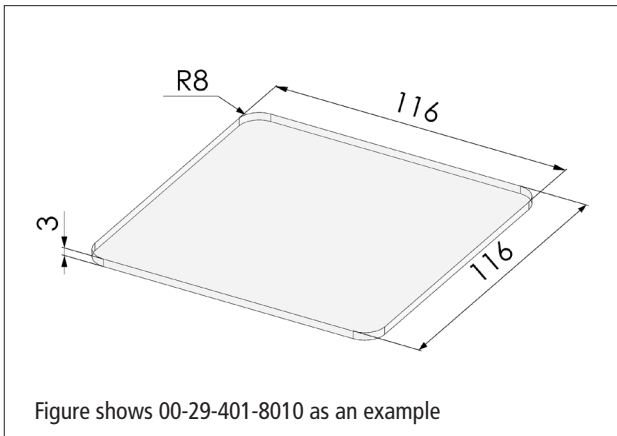
Universal Stage Inserts



Universal stage insert for	Dimensions	Order No.
samples with \varnothing 20–74 mm, slides 3" \times 1" or 3" \times 2"	160 \times 116 \times 7 mm	00-24-427-8150
samples with \varnothing 20–74 mm, slides 3" \times 1" or 3" \times 2"	200 \times 148 \times 7 mm	00-24-520-8150

Material: aluminium, steel
 Surface: anodic coating, black lacquered

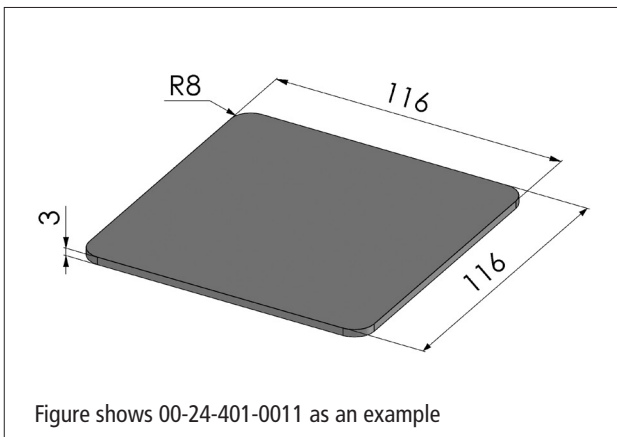
Glass Plates



Dimensions	Order No.
116 \times 116 \times 3 mm	00-24-401-0810
160 \times 116 \times 3 mm	00-24-427-0810
168 \times 168 \times 3 mm	00-24-601-0810
200 \times 148 \times 3 mm	48-24-520-0810
246 \times 246 \times 4 mm	00-24-801-0810
273 \times 116 \times 3 mm	00-24-434-0810
313 \times 148 \times 3 mm	00-24-491-0810

Material: float glass

Metal Plates



Dimensions	Order No.
116 \times 116 \times 3 mm	00-24-401-0011
160 \times 116 \times 3 mm	00-24-427-0011
168 \times 168 \times 3 mm	00-24-601-0011
200 \times 148 \times 3 mm	48-24-520-0011
246 \times 246 \times 6 mm	00-24-801-0011
313 \times 148 \times 6 mm	00-24-505-0011

Material: aluminium
 Surface: anodic coating, black lacquered