

Manual Microscope Stage EK 150 × 150 for Upright Microscopes

Specifications

Travel range	153 × 153 mm (6" × 6")
Drive	self-locking coaxial drive, friction drive with quick adjustment
Material	aluminium
Surface	anodic coating, black lacquered
Weight	approx. 3 kg
Load capacity	max. 5 kg

Order Information

EK 150 × 150 for	Order No.
Leica DM4000-6000	31-0023-0617-0000
Olympus MX51	48-0023-0627-0000
Olympus BX	48-0023-0637-0000
Zeiss AxioScope	90-0023-0607-0000

Product Features

- ▶ precise fine positioning via self-locking coaxial drive
- ▶ friction drive allows for coaxial quick adjustment

Accessories

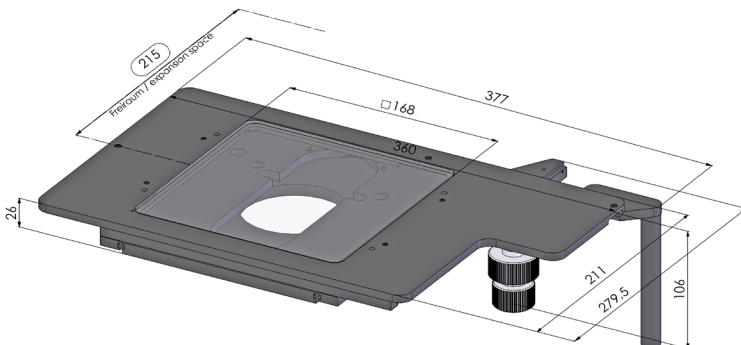
Glass plate 168 × 168 × 3 mm
 (included in delivery)

Order No.: 00-24-601-0810

Metal plate 168 × 168 × 6 mm

Order No.: 00-24-601-0011

Dimensions



For more products please visit:

www.marzhauser.com