



Motorized Focus Drive MFD for Supplementary Motorization of the Z-Axis of Microscopes

Specifications

Resolution	typical 0,002 μm^1
Motor	2-phase stepper motor
Max. revolutions	60 rev/s
Material	aluminium
Surface	anodic coating, black lacquered
Weight	approx. 800 g
Accessories	The MFD can be operated with any Märzhäuser TANGO controller in combination with the operating devices ERGODRIVE or joystick.

Order Information

MFD for Leica	Order No.
DM2000 – DM3000	31-54-501-0000
DM4 – DM6	31-54-500-0000
DMI3000 – DMI6000	31-54-500-0000

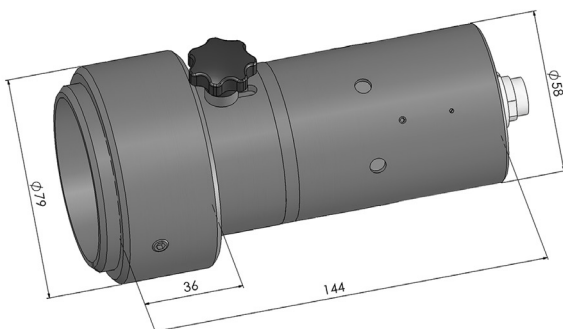
MFD for Meiji Techno	Order No.
MT8530	96-54-500-0000
MT5000/MT6000	96-54-500-0000

MFD for Motic	Order No.
BA300	00-54-500-0000

MFD for Nikon	Order No.
Epiphot 200/300, Optiphot/Optiphot 2, Eclipse E400/E600, Eclipse ME600L/ME600D, Eclipse TME200/TME300, Eclipse L150	45-54-500-0000
Eclipse E200	45-54-501-0000
Eclipse TE2000	45-54-502-0000
Eclipse TS100	45-54-503-0000
Eclipse E600FN	45-54-504-0000
Eclipse LV100D/LV150, 50i/55i/80i	45-54-505-0000
Eclipse L200/L300	45-54-506-0000
Eclipse Ti	45-54-507-0000

MFD for Olympus	Order No.
BX/BX41M, CKX41, GX, IX, MX50/MX61, SZX1	48-54-500-0000
AX70, IX61, BX51WI (rear)	48-54-502-0000
BH2	48-54-501-0000
BX45	48-54-503-0000
BX FM, BX51WI (front)	48-54-504-0000
SZX2	48-54-505-0000

Dimensions



For more products please visit:

www.marzhauser.com